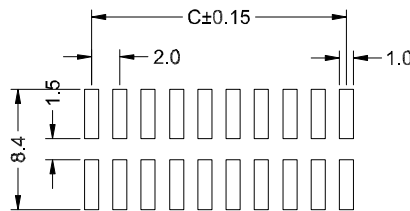
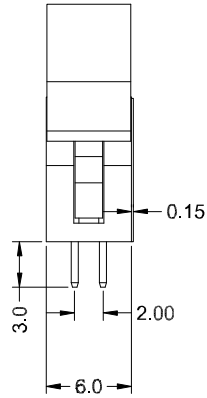


DIP TYPE
P.C.B Layout

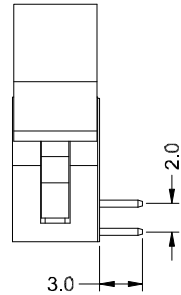


SMT TYPE
P.C.B Layout

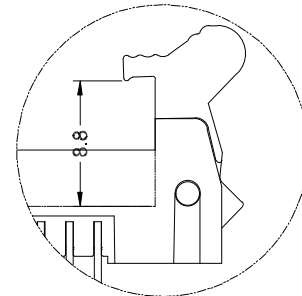
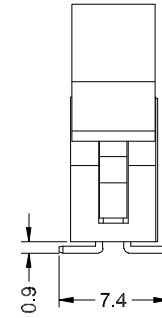
Straight
Type



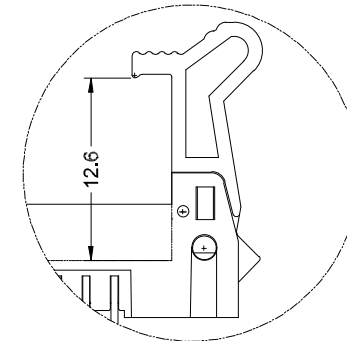
Right Angle
Type



Surface Mount
Type



Short Lever



Long Lever

材质 Material:

绝缘体 Insulator: Glass filled PBT UL94V-0
接触件 Contacts: Brass
电镀层 Plating: Whole Gold plated over Nickel

电气性能 Electrical Characteristics:

接触电阻 Contact Resistance: 20mΩmax. at DC 100mA
绝缘电阻 Insulator Resistance: 1000MΩmin. at 500V DC
耐压 Withstanding Voltage: 1000V AC/rms 50Hz For 1 minute
工作电流 Current Rating: 2 AMP
使用温度范围 Operating Temperature: -55°C~+105°C

Dimension

| Position | A | B | C | Position | A | B | C |
|----------|-------|-------|-------|----------|-------|-------|-------|
| 10 | 25.50 | 16.10 | 8.00 | 26 | 41.50 | 32.10 | 24.00 |
| 14 | 29.50 | 20.10 | 12.00 | 30 | 45.50 | 36.10 | 28.00 |
| 16 | 31.50 | 22.10 | 14.00 | 34 | 49.50 | 40.10 | 32.00 |
| 18 | 33.50 | 24.10 | 16.00 | 40 | 55.50 | 46.10 | 38.00 |
| 20 | 35.50 | 26.10 | 18.00 | 44 | 59.50 | 50.10 | 42.00 |
| 22 | 37.50 | 28.10 | 20.00 | 50 | 65.50 | 56.10 | 48.00 |
| 24 | 39.50 | 30.10 | 22.00 | | | | |

| | | | | | | | | | |
|--------------|--|---------------------------------------|--|---|--|----------------------------------|--|---|--|
| TITLE | | EJECTOR HEADER 2.00mm 2.0/DC2型牛角插针 | | GENERAL TOLERANCE x. : ±0.3 x.x: ±0.2 x.xx: ±0.1 | | DRAWN BY DATE HWJ 10/09/12 | | CHIZON CHIZON(CI XI) ELECTRONIC CO.,LTD. 啓宸(慈溪)電子有限公司 | |
| SERIES | | QC204 | | ANGLE TOLERANCE x. : ±2° x.x: ±1° x.xx: ±0.5° | | CHECKED BY DATE 張國校 | | | |
| CUSTOMER P/N | | | | UNITS | | APPROVED BY DATE PMW 10/09/13 | | DRAWING NO. | |
| SCALE | | DESCRIPTION | | SCALE | | | | SHEET 1 OF 1 | |
| CHK | | DATE | | SCALE | | | | SHEET A4 | |
| | | | | 2:1 | | | | REV. AO | |